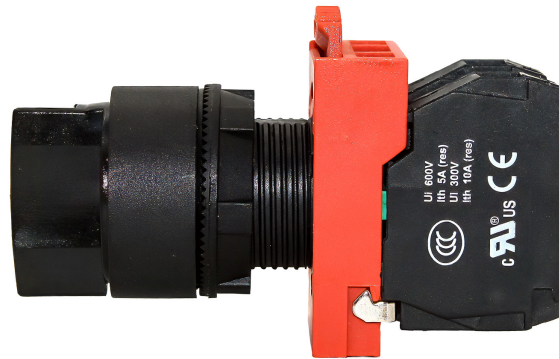




The ASI-D100-HSS3 is a 3-position selector switch designed for reliable multi-state control in industrial automation and control panel applications. Equipped with two normally open (2NO) contacts, it is ideal for configurations such as Hand-Off-Auto or Forward-Off-Reverse.

Built for durability and consistent performance, this selector switch offers smooth operation, clear position indication, and easy panel mounting—making it a dependable choice for OEMs and panel builders.



Key Features:

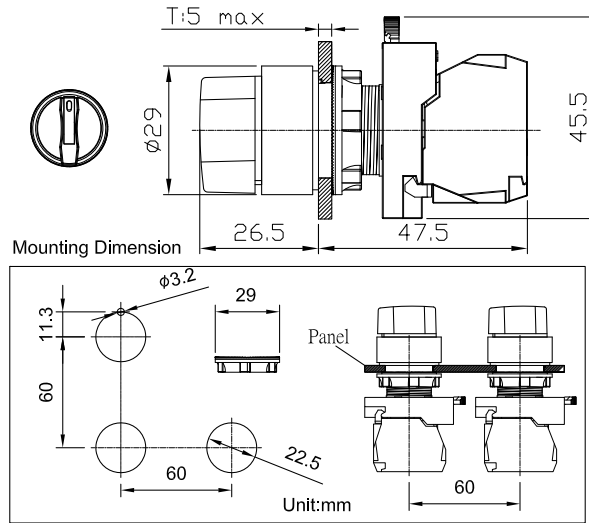
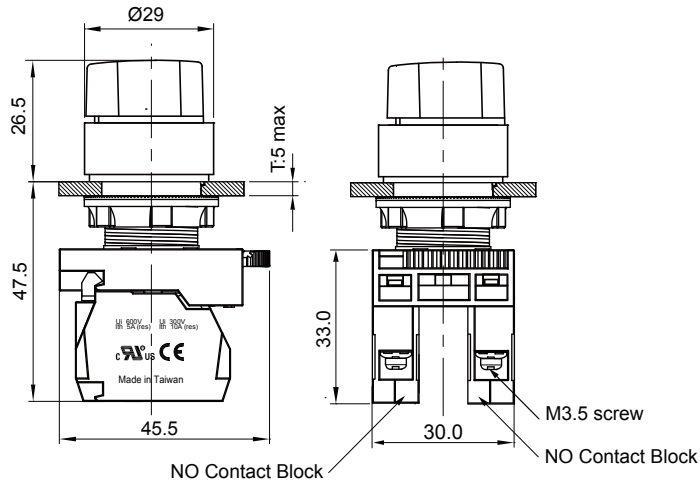
- 3-Position Operation – Ideal for Hand-Off-Auto or Forward-Off-Reverse
- 2 Normally Open (2NO) Contacts – Dependable control circuit switching
- Positive Selector Action – Smooth rotation with clear position feedback
- Industrial-Grade Design – Built for long mechanical life
- Panel Mount Configuration – Simple integration into control enclosures
- Compact & Space-Saving – Maximizes panel layout efficiency
- UL Listed

Product Details

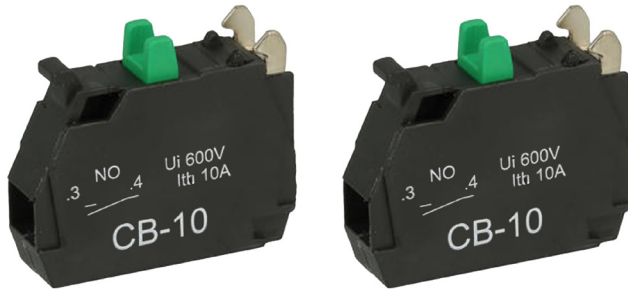
| | | | | | | | | |
|-----------------------------------|---|--|-----|-------|-----|-------|-----|-----|
| Standard | CE RoHS REACH | | | | | | | |
| | EN60947-1;2007 EN60947-5-1;2004+A1 EN60947-5-5;1997+A1 | | | | | | | |
| Ratings | | | | | | | | |
| Rated frequency f | Hz | 50/60 | | | | | | |
| Thermal current Ith | A | 10 | | | | | | |
| Enclosed Thermal current Ithe | A | 10 | | | | | | |
| Utilization category | - | AC-12 | | AC-15 | | DC-12 | | |
| Operational Voltage Ue | V | 480 | 600 | 120 | 240 | 120 | 240 | 480 |
| Operational Current Ie | A | 1.5 | 1.2 | 5 | 3 | 2.2 | 0.6 | 0.4 |
| Conditional short-circuit current | A | 1000 | | | | | | |
| Kind of SCPD | - | Fuse | | | | | | |
| Rating of SCPD | A | 10A gG | | | | | | |
| Insulation Voltage Ui | V | 600 | | | | | | |
| Mechanical datas | | | | | | | | |
| Type of terminals | - | M3.5 | | | | | | |
| Tightening torque | Nm | 0.8 | | | | | | |
| Further specifications | | | | | | | | |
| IP-enclosure | - | IP 56 | | | | | | |
| Standard | UL US | | | | | | | |
| Mode | Type | Electrical Ratings | | | | | | |
| HSS22-S3 | Selector Switch, no light | Contact: NO/NC 600V, 5A Resistive NO/NC 300V, 10A Resistive | | | | | | |
| Safety reliability level | B10d = 100000 cycles with nominal load conforming to EN/ISO 13649-1 | | | | | | | |

Drawings

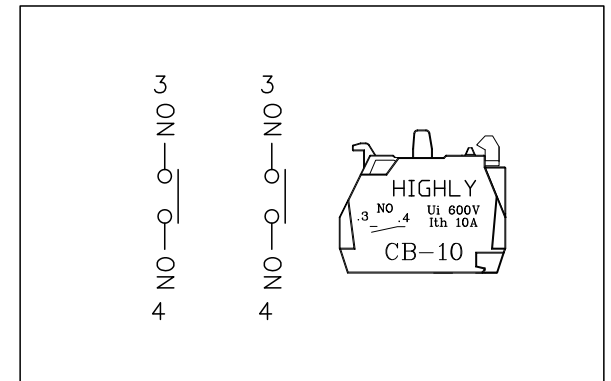
Actuator Type HSS22-S Normal Shaft



Contacts



Contact Structure



Key Features:

- Two Normally Open (NO) Contacts – Both CB-10 blocks provide dependable NO switching
- Rated Ui 600V – Suitable for industrial control circuits
- Rated Ith 10A – Handles standard control circuit loads
- Modular Snap-On Design – Easily attaches to ASI-D100-HSS3 selector switch
- Supports flexible multi-function control logic
- Durable Construction – Engineered for consistent, long-term mechanical and electrical performance
- Ideal for Hand-Off-Auto, Forward-Off-Reverse, and other 3-position control applications

